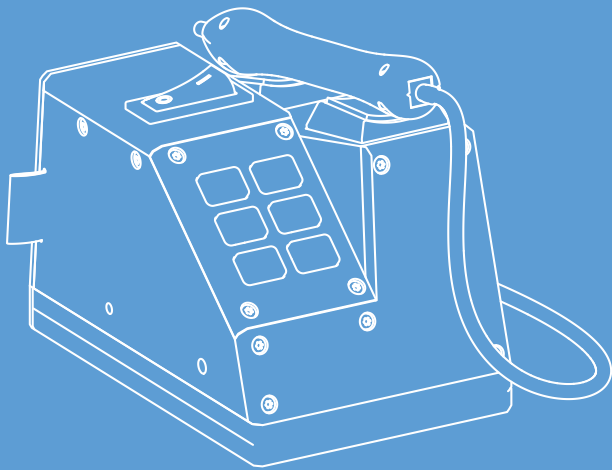


PIXEL PUMP

GETTING STARTED GUIDE



ROBINS

SAFETY INSTRUCTIONS

SICHERHEITSHINWEISE

Utilize the Pixel Pump solely for its designated purpose of picking and placing electronic components.

Nutzen Sie die Pixel Pump ausschließlich für den vorgesehenen Zweck des Aufnehmens und Platzierens von elektronischen Bauteilen.

Exclusively utilize the provided accessories and 12V power supply for powering the Pixel Pump.

Verwenden Sie ausschließlich das mitgelieferte Zubehör und das 12V-Netzteil, um die Pixel Pump mit Strom zu versorgen.

Operate the Pixel Pump only under room temperature conditions and avoid exposure to heat sources. Exercise caution with hot air guns, soldering irons, and other heat-emitting objects. Additionally, prevent direct contact between any part of the Pixel Pump and hot surfaces due to its 3D printed nature.

Betreiben Sie die Pixel Pump nur unter Raumtemperaturbedingungen und vermeiden Sie den Kontakt mit Wärmequellen. Gehen Sie vorsichtig mit Heißluftgebläsen, LötKolben und anderen hitzeabgebenden Gegenständen um. Vermeiden Sie außerdem direkten Kontakt zwischen jedem Teil der Pixel Pump und heißen Oberflächen aufgrund ihrer 3D-gedruckten Bauweise.

Always employ ESD (electrostatic discharge) protection measures when dealing with sensitive electronics.

Verwenden Sie immer Maßnahmen zum Schutz vor elektrostatischer Entladung (ESD), wenn Sie empfindliche Elektronikgeräte handhaben.

Please note that the Pixel Pump is not water-resistant and should only be used in dry environments. Therefore, avoid suction of any liquids.

Bitte beachten Sie, dass die Pixel Pump nicht wasserbeständig ist und nur in trockenen Umgebungen verwendet werden sollte. Vermeiden Sie daher das Ansaugen von Flüssigkeiten.

Exercise caution when handling and using the included needles. They are generally blunt, but the smaller ones can still be sharp.

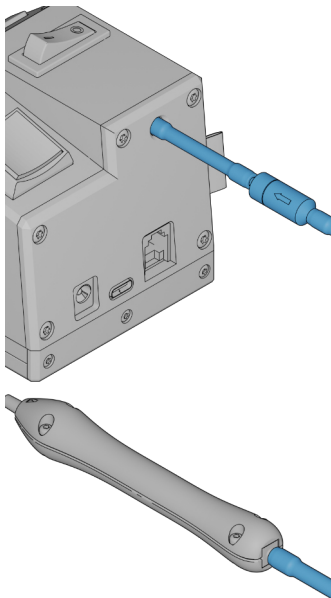
Gehen Sie vorsichtig mit den mitgelieferten Nadeln um. Sie sind im Allgemeinen stumpf, aber die kleineren Nadeln können dennoch scharf sein.

Carefully read the getting started instructions on the following pages before operating the Pixel Pump.

Lesen Sie sorgfältig die Anweisungen auf den folgenden Seiten, bevor Sie die Pixel Pump bedienen.

1. CONNECT HANDLE

INITIAL SETUP

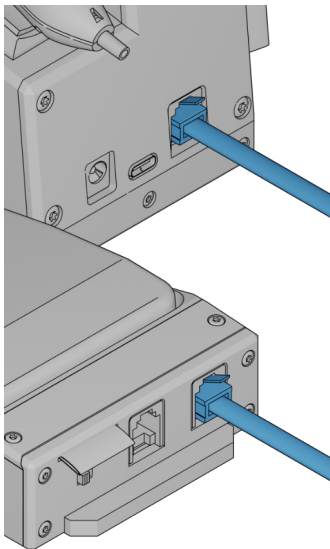


Connect the handle to the Pixel Pump with the included silicone hose. The filter is preinstalled.

! Connect the short end of the hose to the Pixel Pump so that the arrow on the filter points towards the device.

2. CONNECT FOOT PEDAL

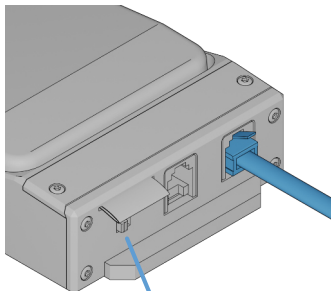
INITIAL SETUP



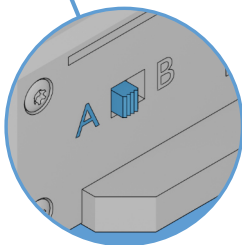
Connect the foot pedal to the Pixel Pump with the included RJ11 cable.

2.1 SETUP FOOT PEDAL

INITIAL SETUP

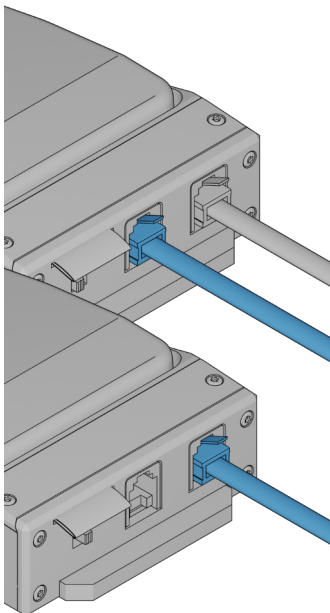


Make sure the foot pedal is set to Channel A.



! The Pixel Pump supports up to two foot pedals. Channel A controls the primary function.

3. CONNECT 2ND FOOT PEDAL INITIAL SETUP

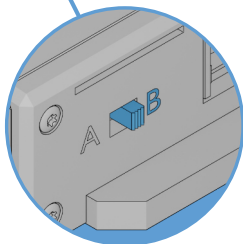
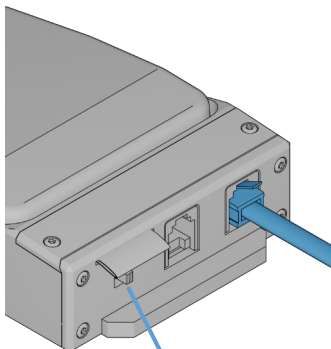


If you have a second foot pedal connect it to the remaining port of the first foot pedal.

! The foot pedals are daisy chained so you only have to run a single cable to the Pixel Pump.

3.1 SETUP 2ND FOOT PEDAL

INITIAL SETUP



Make sure the second foot pedal is set to Channel B.

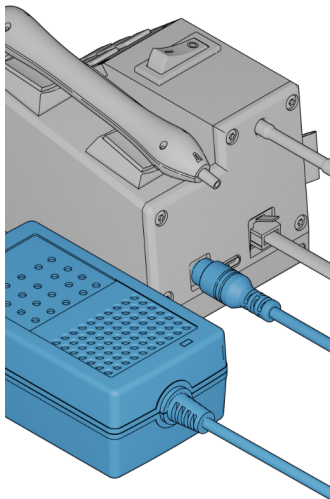
! Channel B controls the auxiliary functions of the Pixel Pump and can be configured individually.

Visit rdev.io/pxlpmpchb to learn more



4. CONNECT POWER SUPPLY

INITIAL SETUP



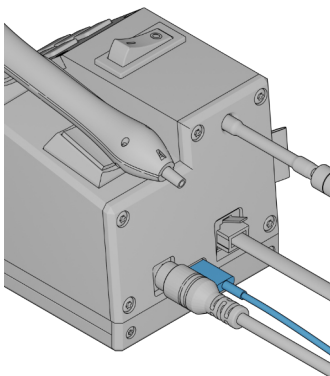
Connect the included power supply to the Pixel Pump as seen in the image.

Then connect the power supply to your mains outlet.

! Please exercise caution when dealing with mains power.

5. CONNECT VIA USB-C

INITIAL SETUP



Use the included USB-C cable to connect the Pixel Pump to your computer.

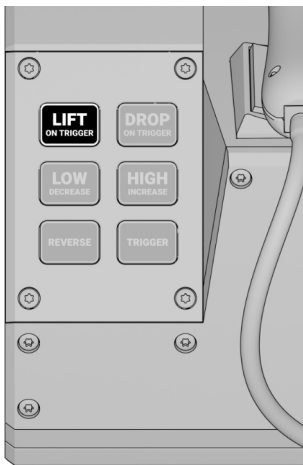
! Its highly recommended to check for firmware updates before beginning to use the Pixel Pump.

Visit rdev.io/pxlpmpusb to learn more



6. LIFT MODE

NORMAL OPERATION



With the Pixel Pump turned on and lift mode active you are ready to pick and place.

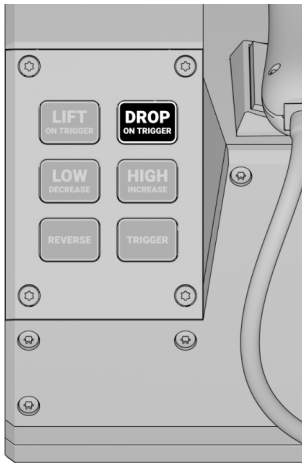
Simply hold the pedal to activate the pump and pick up a part. Let go to drop it at your desired location.

! A pressure relief valve will automatically neutralize the vacuum for a clean release.

7. DROP MODE

NORMAL OPERATION

Drop mode is an alternative operation that functions as the inverse of lift mode.



To activate drop mode, press the "Drop" button once to select and arm it. Pressing the button again will start the pump, allowing you to pick up a part.

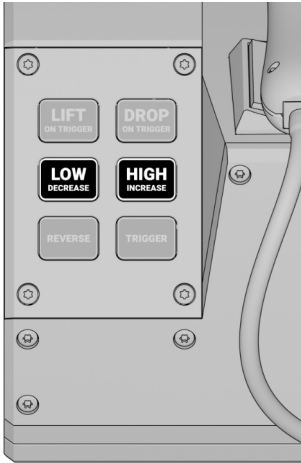
Holding the pedal will stop the pump and release the part.

! Drop and lift modes are both perfectly suitable for picking and placing. It's your personal preference and you may choose the mode you are most comfortable with.

8. POWER PRESETS

NORMAL OPERATION

There are two power presets available: Low and High. If you are working exclusively with small components, it is recommended to select the low preset to minimize noise levels and ensure longevity.



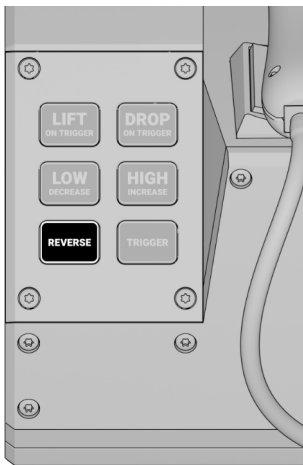
! Long pressing or using a combination of buttons reveals additional functionality that is hidden behind most buttons.

Visit rdev.io/pxlpmpbtns to learn more



9. REVERSE MODE

NORMAL OPERATION

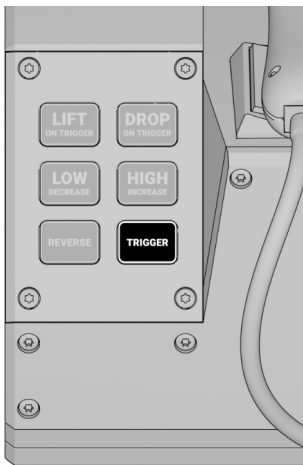


Reverse mode reconfigures the Pixel Pump's pneumatics to generate a positive pressure instead of a vacuum.

! This is useful for clearing out a clogged nozzle in case you have sucked in solder paste or other debris by accident.

9. TRIGGER BUTTON

NORMAL OPERATION



The trigger button can be used to activate the Pump just as if you were pressing the primary foot pedal.

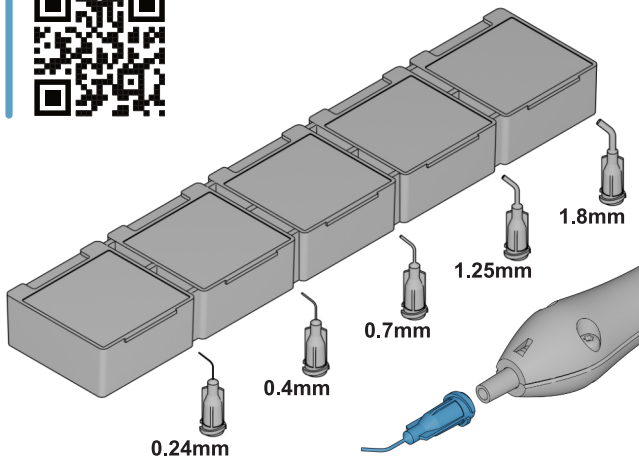
! The trigger button is an alias for the primary foot pedal. Sometimes its more convenient to press the trigger button than to use the foot pedal.

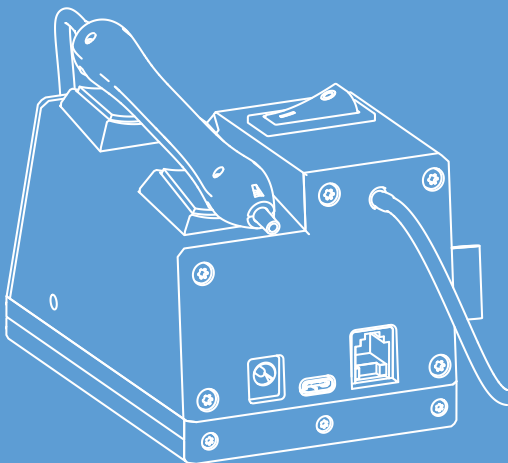
10. CHOOSING A NOZZLE

NORMAL OPERATION

The Pixel Pump comes with set of five different nozzle sizes suitable for most SMD components.

! Visit rdev.io/pxlpmpnzl to learn more about the nozzles





Visit rdev.io/pxlpmpdocs to
view the full documentation.



ROBINS